

Project	
Nomenclature	
Type	Date
Approval	
Notes	

The BLWD is an LED wrap fixture designed for surface and suspended mounting. It is well suited for use in office spaces, hallways, an applications where existing luminaires can be replaced with a new energy efficient LED fixture while covering existing ceiling lines anunpainted areas.

Luminaire Summary

Features

- Operating temperature ranges available from -40C to 40C
- L70 of 230,000+ hours, L90 of 70,000+ hours
- Standard 0 - 10V dimming
- Available in 2700K, 3000K, 3500K, 4000K, 5000K and 6500K
- Lumen packages are available ranging from 4' 2L (2124lm) to 4' 6L (6172lm)

Approvals

- ETL certified to UL Canada and United States standards
- Made with UL Listed components

Mounting

- Holes provided for V-hangers, S-hook chain-mounting, or aircraft cables

Construction

- Manufactured in Ontario, Canada
- Powder-coated in high reflectance gloss white (other colours available)
- Precision bent for added strength and rigidity

Electrical

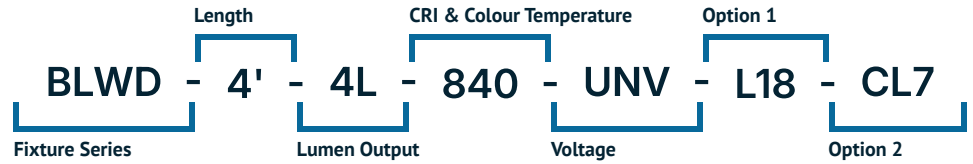
- Available in 120-277V, 120-347V and 347V

Options

- Wireless Controls Available
- 90 and 95+ CRI Options Available
- 120-347V(UN3) Available

Ordering Information

Fill in the fields below with your product selections. If you need help with this section, [contact your local sales professional](#).



1	2	3	4	5	6
BLWD	4'				
Series	Length	Lumen Output	CRI	Colour Temp	Voltage
BLWD	4'	4' 2L (2124lm) 4' 3L (3136lm) 4' 4L (4148lm) 4' 5L (5160lm) 4' 6L (6172lm) **L - Custom lumen package	8 - 80 CRI 9 - 90 CRI 1 - 95+ CRI	27 - 2700K 30 - 3000K 35 - 3500K 40 - 4000K 50 - 5000K 65 - 6500K	UNV - 120-277V UN3 - 120-347V 347 - 347V

Options

Lenses

BLANK | Frosted Acrylic

Cords

- W3xx | White 16/3 (Specify Length)
- W4xx | Black 16/3 (Specify Length)
- W59xx | White 16/5 (Specify Length)
- W*** | Other Options Available*

Key.	Cord Length.	Key	Cord Length
6	6FT	15	15FT
10	10FT	20	20FT

Ex. W406 would be 16/3 Black, 6FT

Motion Sensors

- W26 | Photocell Motion Sensor
- W57 | Dimming Motion Sensor (dims to 50% when unoccupied)
- W53* | On/Off
- W8* | High/Low
- WX16 | Microwave Dimmable Sensor
- W** | Other Options Available*

Finish

- BLANK | Standard Gloss White
- C5 | Matte Black
- CUSTOM* | Custom Colour Choice

Dimming

- B11 | 0-10V Dimming Leads
- B12 | Line Voltage Dimming
- B27 | Dim-to-off Driver
- B** | Other Options Available*

Controls

- WC10* | Encelium Wireless Controls
- WC18* | NX Wireless Controls
- WC19* | Avi-on Wireless Controls
- WC22* | JDRF Wireless Controls

Emergency Driver

- B17 | UL924 6W Battery Back-up
- B24 | UL924 10W Battery Back-up
- F8 | UL924 Emergency Relay

Packaging

- BLANK | Individually Boxed on Pallets
- P0 | Bulk Packaging
- P** | Other Options Available*

Mounting

- M1 | V-Hangers
- M2xx | V-Hanger with Aircraft Loop Cables
- M3xx | Y-Toggle Aircraft Cables
- M24 | Single Pendant Mount(3/4 Hub)
- M** | Other Options Available*

Key.	Aircraft Length.	Key	Aircraft Length
5	5FT	15	15FT
10	10FT	20	20FT

Ex. M305 would be Y-Toggle, 5FT

Warranty

- CL7 | 10-Year Comprehensive Warranty Upgrade

Documentation and Resources

All files and resources are available on our website for download. Files and resources are also embedded as links in this document, listed below. Additional files may be available upon request. Please contact your local sales agent [here](#) or contact sales@bjtake.com for more information.

BLWD-4FT-2L
 BLWD-4FT-6L

BLWD-4FT-3L

BLWD-4FT-4L

BLWD-4FT-5L

Certifications and Listings

Certifications that apply to this fixture and its possible configurations are listed here. More information available upon request.

Icon	Description
	Wireless Controls Available
	ETL Listed
	90 and 95+ CRI Options Available
	120-347V(UN3) Available

Usage Applications

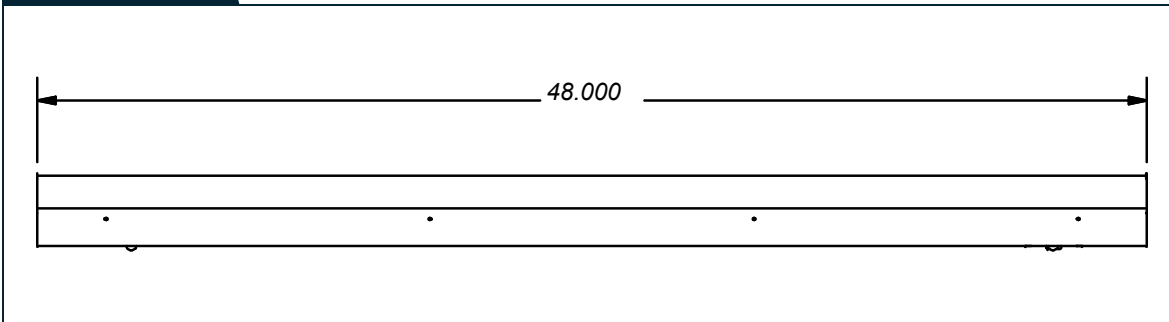
This fixture can be used in a variety of applications, and is ideal for the following:

Usage Application
Manufacturing Facilities
Storage & Warehousing
Offices
Schools
Retail Stores
Distribution Facilities
Processing Plants
Aisle Lighting

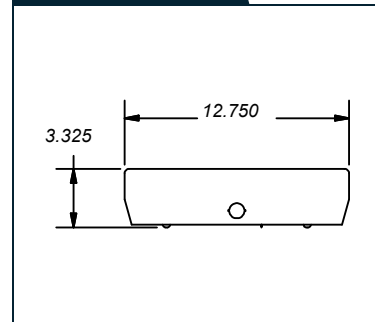
Warranty Statement

BJ Take products are tested and/or inspected prior to being packaged for shipment and are guaranteed from the day the product is shipped for a period of ten-year LED chip warranty and a five-year comprehensive component warranty. This can be upgraded to a ten-year comprehensive warranty on request.

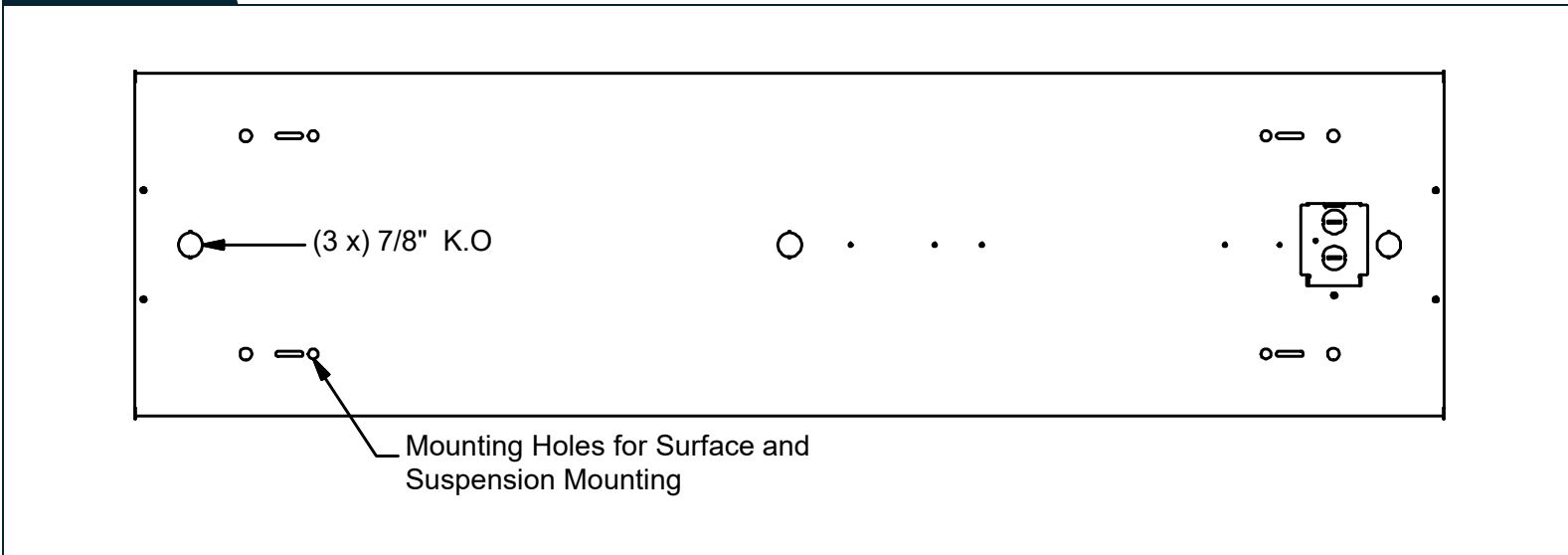
BLWD, Side Dims



BLWD End View



BLWD, Top Dims



BLWD Wattage

Length	Lumen Output	Actual Lumen Output	Wattage	Lumens per Wattage
4'	2	2124	17	123.06
4'	3	3136	24	130.67
4'	4	4148	32	129.63
4'	5	5160	40	129.00
4'	6	6172	48	128.58

BLWD, Light Loss Factor (LLF)

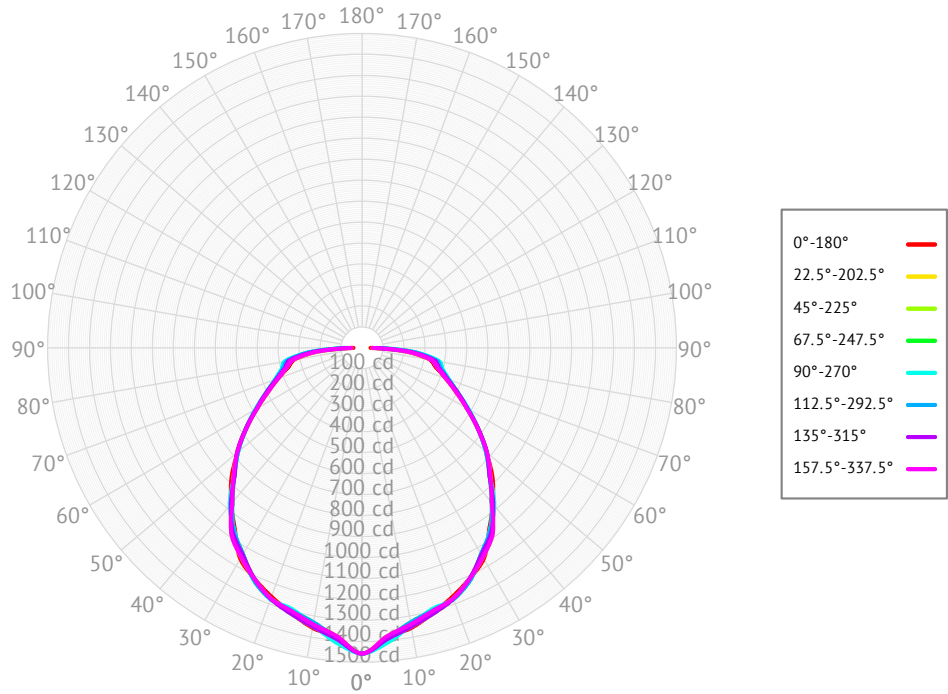
CCT	Output%
2700K	92.95
3000K	95.51
3500K	96.80
4000K	100.00
5000K	101.28
90CRI	84.72

- * Drawings aren't to scale
- * Standard tolerances apply
- * Specifications may change without notice

BLWD-4FT-4L-840-L18

Cone of Light

Mtg Height	Light Level	Beam Diameter
6.0 ft	40.5 fc	15.5 ft
8.0 ft	22.8 fc	20.7 ft
10.0 ft	14.6 fc	25.9 ft
12.0 ft	10.1 fc	31.1 ft
14.0 ft	7.4 fc	36.3 ft
16.0 ft	5.7 fc	41.4 ft

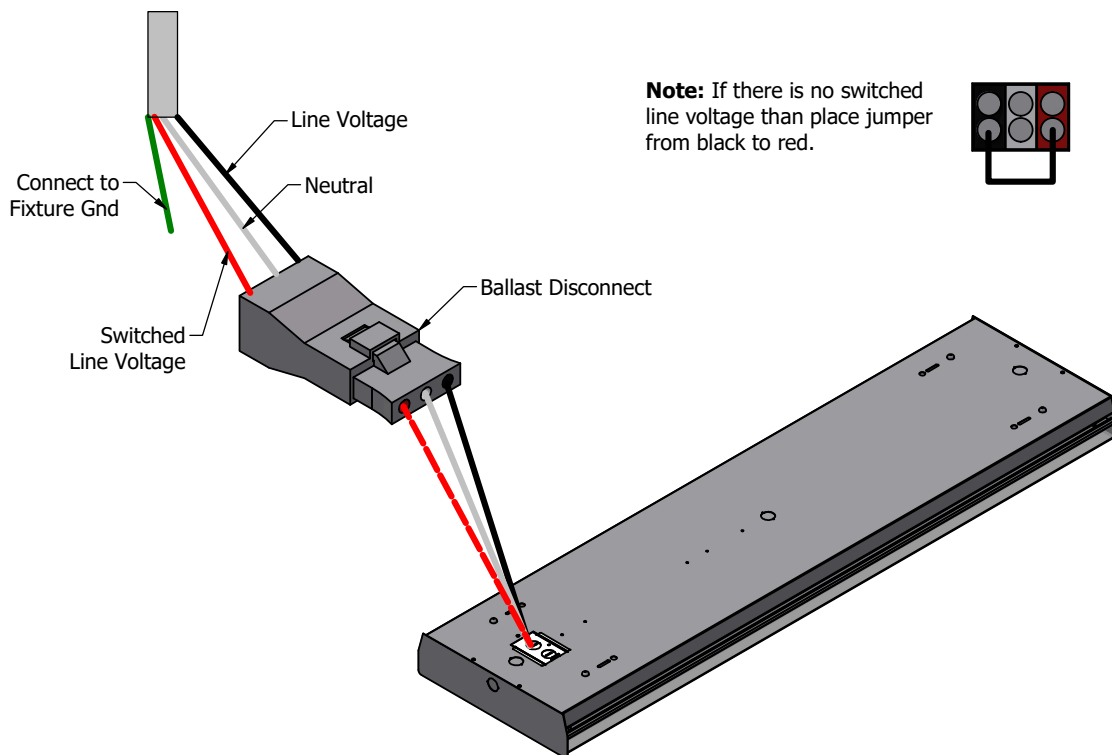


Based on BLWD-4FT-4L-840-L18.

Emergency Battery Plan - 10W

Emergency Lighting	Solution System Components	System Operation
Option Code 'B17' - UL 924 listed components that are factory installed in the luminaire	UL 924 listed 10-watt battery integral to the luminaire	Loss of normal power is detected by the B17 emergency light solution and the power supply is switched automatically to the 10-watt integral battery pack which powers the emergency LED lighting driver.
	UL 924 listed LED emergency lighting driver integral to the luminaire	The battery pack and emergency LED driver are UL 924 certified to provide a minimum of 90-minutes of emergency lighting.
	Wiring options for both switched and unswitched emergency lighting	

Emergency Lighting Wiring



Important Information

More information on emergency lighting options and configurations available on request.